

CABLE INFORMATION FAX SHEET

4810 Clover Road Greensboro, NC 27405
800 535-0016 Fax: 800-590-9814



Date: _____

Fax back to: 1-800-590-9814

Company: _____

Contact: _____

Address: _____

State/Zip: _____

Phone: _____

Fax: _____

Lift Manufacturer/Brand-name: _____

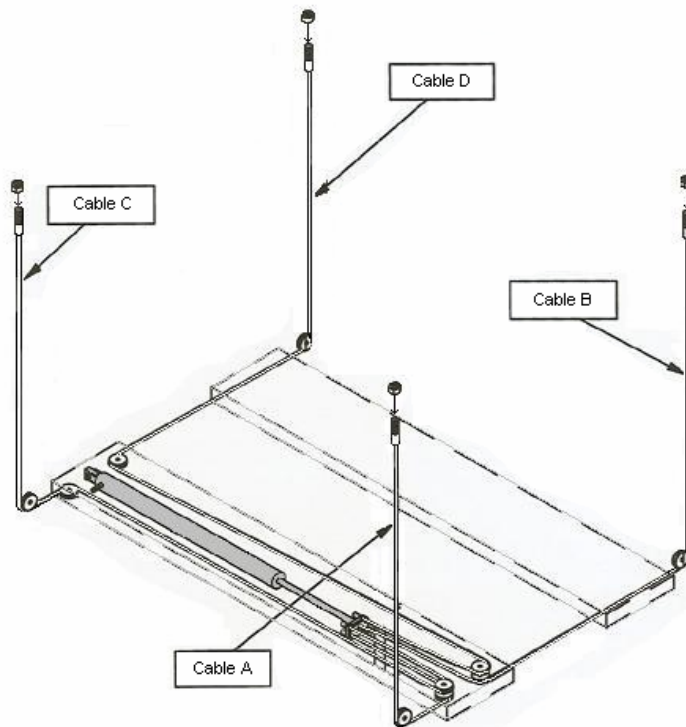
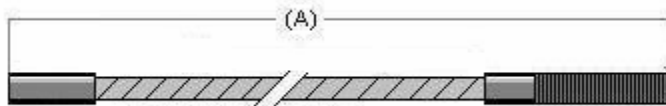
Model/Serial #: _____

Lift Weight Capacity: _____

Type: _____

(Please fill out the information below as completely as possible. See illustration for explanation of dimensions.)

- Cable A Dimension 'A' (overall length) _____
- Cable B Dimension 'A' (overall length) _____
- Cable C Dimension 'A' (overall length) _____
- Cable D Dimension 'A' (overall length) _____



Customer's Signature: _____